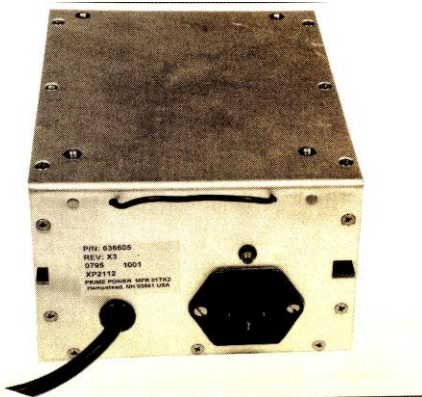




# XP2112

60 WATT RUGGED AC/DC POWER SUPPLY



- Universal Input Power Supply
- Input Filtering Per MIL-STD-461F
- Input Transient Protection 704A
- High System Efficiency
- Custom Interface Method
- Meets MIL-STD-704A
- M.T.B.F 7,150,000 Hrs.
- NAVMAT Component Derating

## DESCRIPTION:

The XP2212 was designed to be compact and rugged for a military computer system but can be used in other rugged military applications. It has a universal input voltage of 85VAC to 265VAC in a compact package. Many features are incorporated that make it an ideal choice for airborne, or ground fixed applications.

<b>GENERAL SPECIFICATIONS</b>	
<b>INPUT VOLTAGE</b>	85-265VDC
<b>FREQUENCY RANGE</b>	47-63HZ
<b>OUTPUT VOLTAGE</b>	+15VDC
<b>OUTPUT CURRENT</b>	4 AMPS
<b>PHYSICAL SIZE</b>	5" X 5.54" X 3.35"
<b>WEIGHT</b>	63LBS.
<b>MTBF</b>	>150,00 HRS

<b>PHYSICAL CHARACTERISTICS</b>	
<b>MAXIMUM CASE SIZE</b>	5" X 5.51" X 3.35"
<b>COOLING METHOD</b>	CONDUCTION
<b>ENCAPSULATION</b>	N/A
<b>ENCLOSURE FINISH</b>	YELLOW CHROMATE
<b>BASEPLATE FINISH</b>	YELLOW CHROMATE
<b>INPUT/OUTPUT TERMINATION</b>	IEEC AC INPUT AND 6" INPUT CABLE
<b>MOUNTING</b>	FLANGED BASEPLATE 4X 0.188 Ø THRU HOLES
<b>WEIGHT</b>	<3LBS

[WWW.PRIME-POWER.COM](http://WWW.PRIME-POWER.COM)

[SALES@PRIME-POWER.COM](mailto:SALES@PRIME-POWER.COM)

PRIME POWER INC: (603) 329-4675.  
1 OWENS CT.  
HAMPSTEAD NH, 03841.



# XP2112

60 WATT RUGGED AC/DC POWER SUPPLY

<b><u>ELECTRICAL SPECIFICATIONS</u></b>	
LINE REGULATION (LO LINE TO HI LINE)	.5%
LOAD REGULATION (1/2-FL W/SENSE)	.5%
PARD (RIPPLE NOISE) DC-20MHZ	200Mv p-p MAX.
OVERCURRENT SETPOINT	140% OF RATED CURRENT
OVERVOLTAGE SET	+17VDC MAX.
TURN-ON OVERSHOOT	2% TYP.
EFFICIENCY (MIN)	75% MIN.
ISOLATION	1000VDC I/D
EMI FILTERING	MIL-STD-461, CE03
OUTPUT POWER	60WATTS

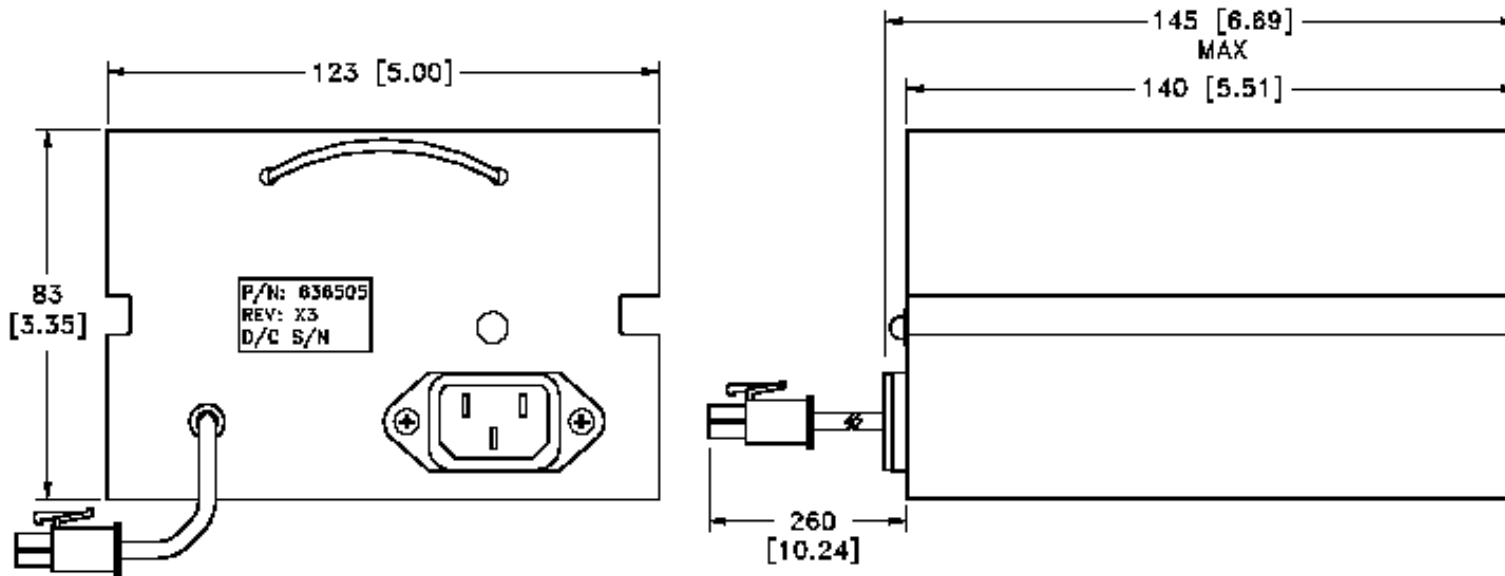
<b><u>ENVIRONMENTAL SPECIFICATIONS</u></b>		
PRESSURE-ALTITUDE	MIL-STD-810F	METHOD 500.1, PROCEDURE 1
HIGH TEMPERATURE	MIL-STD-810F	METHOD 501.4 PROCEDURE 1 & 2
LOW TEMPERATURE	MIL-STD-810F	METHOD 502.4 PROCEDURE 1 & 2
HUMIDITY	MIL-STD-202G	METHOD 103B
FUNGUS	MIL-STD-810F	METHOD 508, CONDITION A
SALT FOG	MIL-STD-202G	METHOD 101 E, TEST CONDITION A
SAND AND DUST	MIL-STD-810F	METHOD 501.4, PROCEDURE 1 & 2
EXPLOSIVE ATMOSPHERE	MIL-STD-810F	METHOD 511, CONDITION A
ACCELERATION	MIL-STD-810F	METHOD 513.5, PROCEDURE 1 & 2
VIBRATION	MIL-STD-810F	METHOD 514.2
SHOCK	MIL-STD-883	METHOD 2002.4

<b><u>TEMPERATURE SPECIFICATIONS</u></b>	
OPERATING TEMPERATURE	-46°C TO 71°C
STORAGE TEMPERATURE	-15°C TO 100°C
TEMPERATURE COEFFICIENT	0.02%/°C



# XP2112

60 WATT RUGGED AC/DC POWER SUPPLY



[WWW.PRIME-POWER.COM](http://WWW.PRIME-POWER.COM)

[SALES@PRIME-POWER.COM](mailto:SALES@PRIME-POWER.COM)

PRIME POWER INC: (603) 329-4675.  
1 OWENS CT.  
HAMPSTEAD NH, 03841.