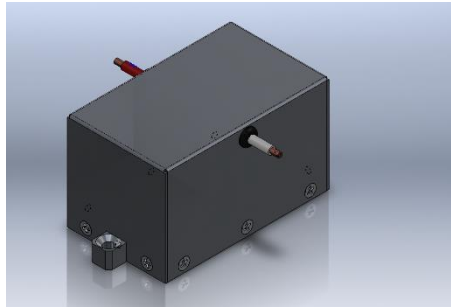




# MP2168

60KW VOLTAGE TRANSIENT SUPPRESSOR MODULE FOR MIL-STD-1275



- 60KW Power Handling Capability across L-G
- Very Fast Response < 1ns
- Bi-Polar Protection
- Rugged Aluminum Construction
- Clamps the Voltage Transients of MIL-STD-1275
- 18-36VDC Input

## DESCRIPTION:

Prime Power's MP2168 Voltage Transient Suppressor Module is capable of protecting sensitive electrical systems from high-energy transients, and over voltage power surges in either direction. This module is designed for direct connection to 28VDC vehicular systems and meets the requirements of MIL-STD-1275.

<b>GENERAL SPECIFICATIONS</b>	
<b>INPUT VOLTAGE (L-N)</b>	18VDC – 36VDC
<b>FREQUENCY RANGE</b>	N/A
<b>PHYSICAL SIZE</b>	6.53" X 3" X 1"
<b>WEIGHT</b>	CONTACT: <a href="mailto:SALES@PRIME-POWER.COM">SALES@PRIME-POWER.COM</a>
<b>MTBF</b>	CONTACT: <a href="mailto:SALES@PRIME-POWER.COM">SALES@PRIME-POWER.COM</a>

<b>PHYSICAL CHARACTERISTICS</b>	
<b>MAXIMUM CASE SIZE</b>	6.53" X 3" X 1"
<b>COOLING METHOD</b>	CONVECTION
<b>ENCAPSULATION</b>	SILICONE POTTING
<b>ENCLOSURE FINISH</b>	YELLOW CHROMATE
<b>BASEPLATE FINISH</b>	YELLOW CHROMATE
<b>INPUT/OUTPUT TERMINATION</b>	FLYING LEADS
<b>MOUNTING</b>	4X 6X32 100°CSK



# MP2168

60KW VOLTAGE TRANSIENT SUPPRESSOR MODULE FOR MIL-STD-1275

<b>ELECTRICAL SPECIFICATIONS</b>		
<b>BREAKDOWN VOLTAGE</b>	V <sub>Z</sub> MIN 36.7V	
<b>CLAMPING LIMIT V<sub>C</sub> IN EITHER DIRECTION @ CORRESPONDING I<sub>PP</sub>, TC=25°C</b>	50USEC WAVEFORM AS PER MIL-STD-1275	
	LINES	V <sub>CL</sub> (MAX)
	L-G	335V
	I <sub>PP</sub>	200A

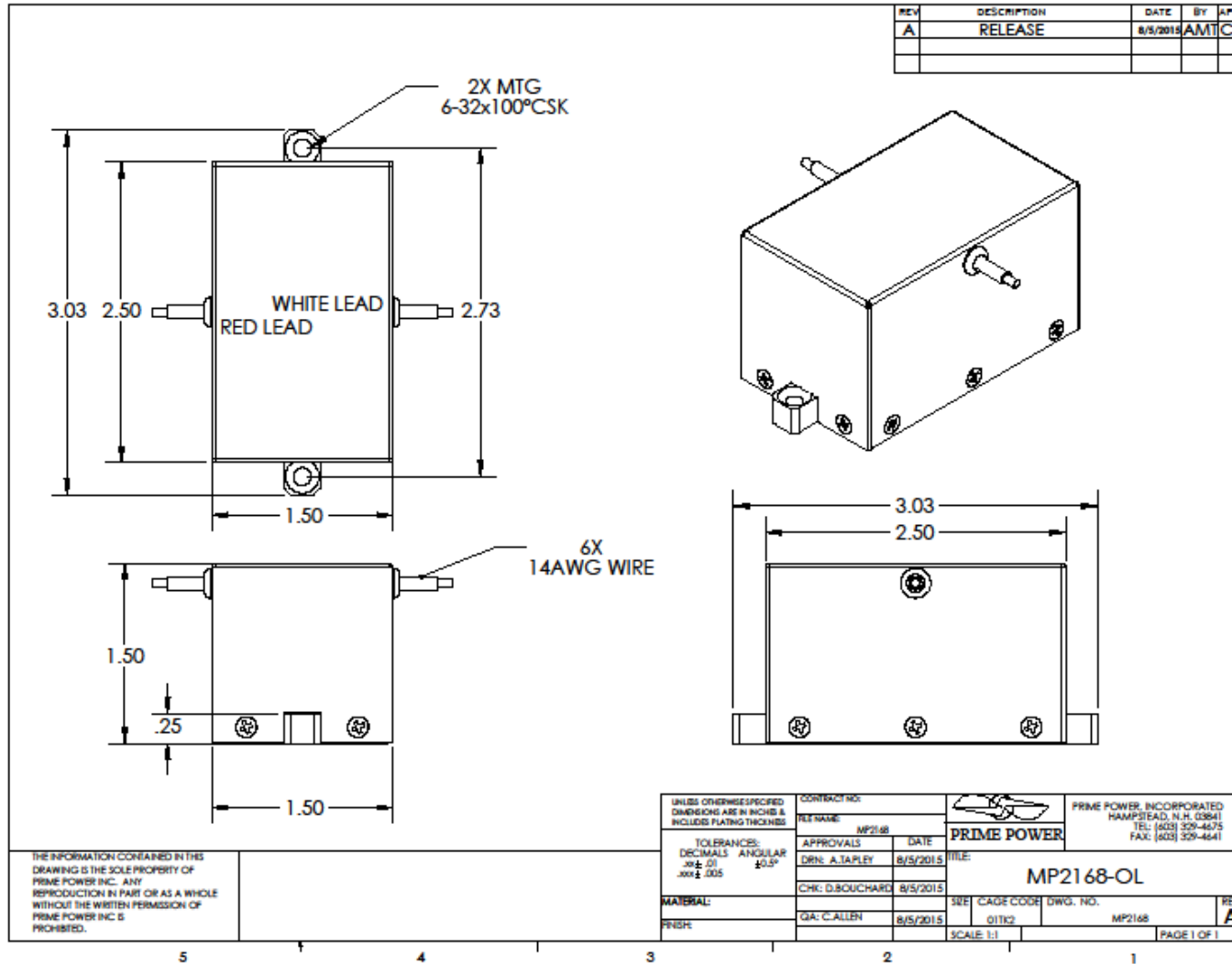
<b>ENVIRONMENTAL SPECIFICATIONS</b>		
<b>PRESSURE-ALTITUDE</b>		
<b>HIGH TEMPERATURE</b>	MIL-STD-810F	METHOD 501.4 PROCEDURE 1 & 2
<b>LOW TEMPERATURE</b>	MIL-STD-810F	METHOD 502.4 PROCEDURE 1 & 2
<b>HUMIDITY</b>	MIL-STD-202G	METHOD 103B
<b>FUNGUS</b>	MIL-STD-810F	METHOD 508, CONDITION A
<b>SALT FOG</b>	MIL-STD-202G	METHOD 101 E, TEST CONDITION A
<b>SAND AND DUST</b>	MIL-STD-810F	METHOD 501.4, PROCEDURE 1 & 2
<b>EXPLOSIVE ATMOSPHERE</b>	MIL-STD-810F	METHOD 511, CONDITION A
<b>ACCELERATION</b>	MIL-STD-810F	METHOD 513.5, PROCEDURE 1 & 2
<b>VIBRATION</b>	MIL-STD-810F	METHOD 514.2
<b>SHOCK</b>	MIL-STD-810F	HIGH IMPACT SHOCK

<b>TEMPERATURE SPECIFICATIONS</b>	
<b>OPERATING TEMPERATURE</b>	-46°C – 85°C
<b>STORAGE TEMPERATURE</b>	-46°C – 125°C



# MP2168

60KW VOLTAGE TRANSIENT SUPPRESSOR MODULE FOR MIL-STD-1275



[WWW.PRIME-POWER.COM](http://WWW.PRIME-POWER.COM)

[SALES@PRIME-POWER.COM](mailto:SALES@PRIME-POWER.COM)

PRIME POWER INC: (603) 329-4675.  
1 OWENS CT.  
HAMPSTEAD NH, 03841.