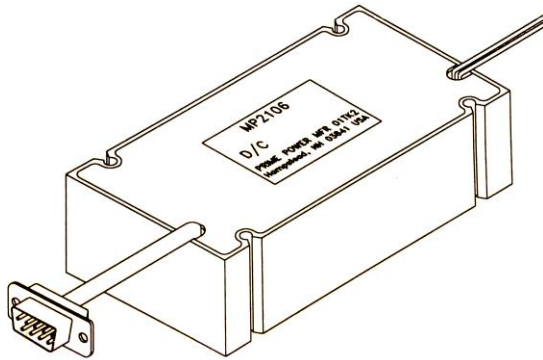




MP2106

30 WATT TRIPLE OUTPUT DC/DC CONVERTER



- Input Transient Protection To 20VDC
- Operating Temperature Range -46°C To +85°C
- Output Protection Over Current And Over Voltage
- NAVMAT Component Derating
- Low Output Ripple/Noise
- M.T.B.F. > 150,000 Hours
- Ground Mobile Application

DESCRIPTION: The MP2106 DC/DC converter was designed to be compact and rugged for ground mobile military applications, but can be used in other rugged military applications. The Dc/Dc converter was designed using NAVMAT guidelines for component derating and operates over -46°C to +85°C temperature range. The Dc/Dc converter is easily modified for the output voltages.

GENERAL SPECIFICATIONS			
INPUT VOLTAGE	+9-15VDC		
FREQUENCY RANGE	N/A		
OUTPUT VOLTAGE	+5VDC	+15VDC	-15VDC
OUTPUT CURRENT	3A	1A	.2A
PHYSICAL SIZE	4.60" X 2.40" X 1.30"		
MTBF	>150,000 HOURS		

PHYSICAL CHARACTERISTICS	
MAXIMUM CASE SIZE	4.60" X 2.40" X 1.30"
COOLING METHOD	CONDUCTION
ENCAPSULATION	SILICONE POTTING
ENCLOSURE FINISH	YELLOW CHROMATE
BASEPLATE FINISH	YELLOW CHROMATE
INPUT/OUTPUT TERMINATION	"D" SUB CONNECTOR
MOUNTING	4X .152 THRU MTG HOLES
WEIGHT	<1LBS



MP2106

30 WATT TRIPLE OUTPUT DC/DC CONVERTER

ELECTRICAL SPECIFICATIONS			
	5VDC	15VDC	-15VDC
LINE REGULATION (LO LINE TO HI LINE)	.2%	.2%	.2%
LOAD REGULATION (1/2-FL W/SENSE)	1%	1%	1%
PARD (RIPPLE NOISE) DC-20MHZ	100mVp-p	150mVp-p	150mVp-p
OVERCURRENT SETPOINT	140% OF RATED I OUT, EACH OUTPUT CURRENT		
OVERVOLTAGE SET	125% OF RATED V OUT, EACH OUTPUT VOLTAGE		
TURN-ON OVERSHOOT	1%	1%	1%
EFFICIENCY (MIN)	70%		
ISOLATION	500VDC I/O		
EMI FILTERING	MIL-STD-461		
OUTPUT POWER	30 WATTS		

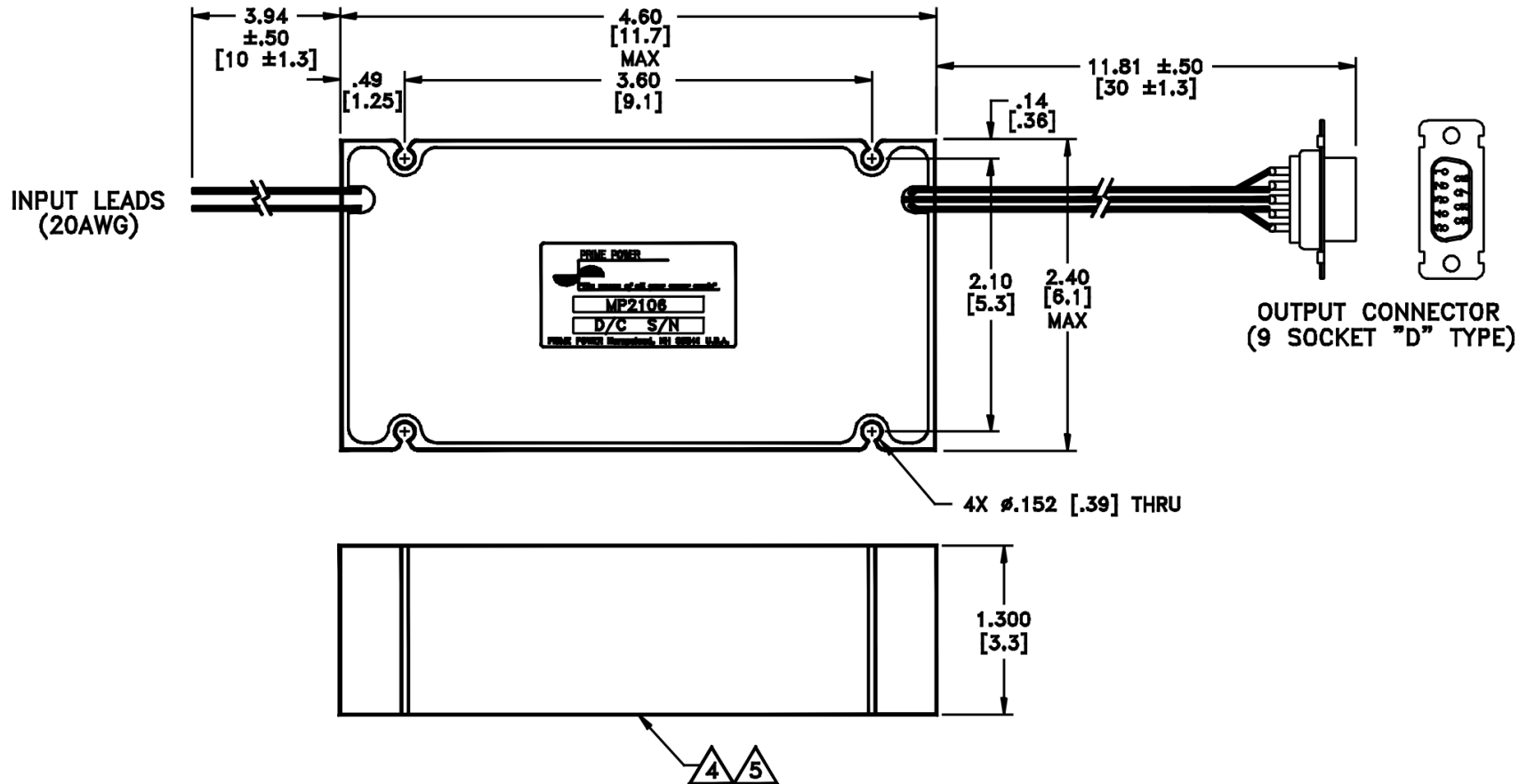
ENVIRONMENTAL SPECIFICATIONS		
ALTITUDE	MIL-STD-810F	METHOD 500.1 PROCEDURE 1
HIGH TEMPERATURE	MIL-STD-810F	METHOD 501.4 PROCEDURE 1 & 2
LOW TEMPERATURE	MIL-STD-810F	METHOD 502.4 PROCEDURE 1 & 2
HUMIDITY	MIL-STD-202G	METHOD 103B
FUNGUS	MIL-STD-810F	METHOD 508, CONDITION A
SALT FOG	MIL-STD-202G	METHOD 101 E, TEST CONDITION A
SAND AND DUST	MIL-STD-810F	METHOD 501.4, PROCEDURE 1 & 2
EXPLOSIVE ATMOSPHERE	MIL-STD-810F	METHOD 511, CONDITION A
ACCELERATION	MIL-STD-810F	METHOD 513.5, PROCEDURE 1 & 2
VIBRATION	MIL-STD-810F	METHOD 514.2
SHOCK	MIL-STD-883	METHOD 2002.4

TEMPERATURE SPECIFICATIONS	
OPERATING TEMPERATURE	-46°C TO +85°C
STORAGE TEMPERATURE	-65°C TO +125°C
TEMPERATURE COEFFICIENT	.02%/°C



MP2106

30 WATT TRIPLE OUTPUT DC/DC CONVERTER



WWW.PRIME-POWER.COM

SALES@PRIME-POWER.COM

PRIME POWER INC: (603) 329-4675.
1 OWENS CT.
HAMPSTEAD NH, 03841.