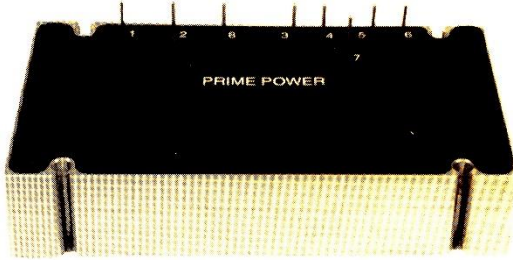




MP2104

DC/DC CONVERTER 60WATTS



- MIL-STD-1275 Compliant
- MIL-STD-704 Compliant
- Output Over-Voltage And Over-Current Protection
- NAVMAT Component Derating
- >100,000 Hours MTBF
- Designed For Ground Mobile applications
- Operates Over Full Military Temperature Range

DESCRIPTION:

The MP2104 DC/DC Converter was designed for military ground mobile applications, but will meet requirements for other rugged military applications. The DC/DC converter was designed using the conservative component derating of the NAVMAT guidelines. This DC/DC converter is easily modifiable to operate at various output voltages.

GENERAL SPECIFICATIONS	
INPUT VOLTAGE	+15-40VDC (6VDC Operation, 15W MAX Out)
FREQUENCY RANGE	N/A
OUTPUT VOLTAGE	+12VDC
OUTPUT CURRENT	5 AMPS
PHYSICAL SIZE	4.60 X 2.40 X 1.00
WEIGHT	<1LB
MTBF	>150,000 HRS.

PHYSICAL CHARACTERISTICS	
MAXIMUM CASE SIZE	4.60 X 2.40 X 1.00
COOLING METHOD	Conduction
ENCAPSULATION	Silicone Potting
ENCLOSURE FINISH	Yellow Chromate
BASEPLATE FINISH	Yellow Chromate
INPUT/OUTPUT TERMINATION	7 Individual Pins
MOUNTING	4X .152 THRU HOLES
WEIGHT	<1LB



MP2104

DC/DC CONVERTER 60WATTS

ELECTRICAL SPECIFICATIONS	
LINE REGULATION (LO LINE TO HI LINE)	3%
LOAD REGULATION (1/2-FL W/SENSE)	3%
PARD (RIPPLE NOISE) DC-20MHZ	125 mVp-p
OVERCURRENT SETPOINT	110% Of Rated Current
OVERVOLTAGE SET	+15VDC ±5%
TURN-ON OVERSHOOT	1% TYP
EFFICIENCY (MIN)	70%
ISOLATION	500VDC I/O
EMI FILTERING	MIL-STD-461
OUTPUT POWER	60 WATTS

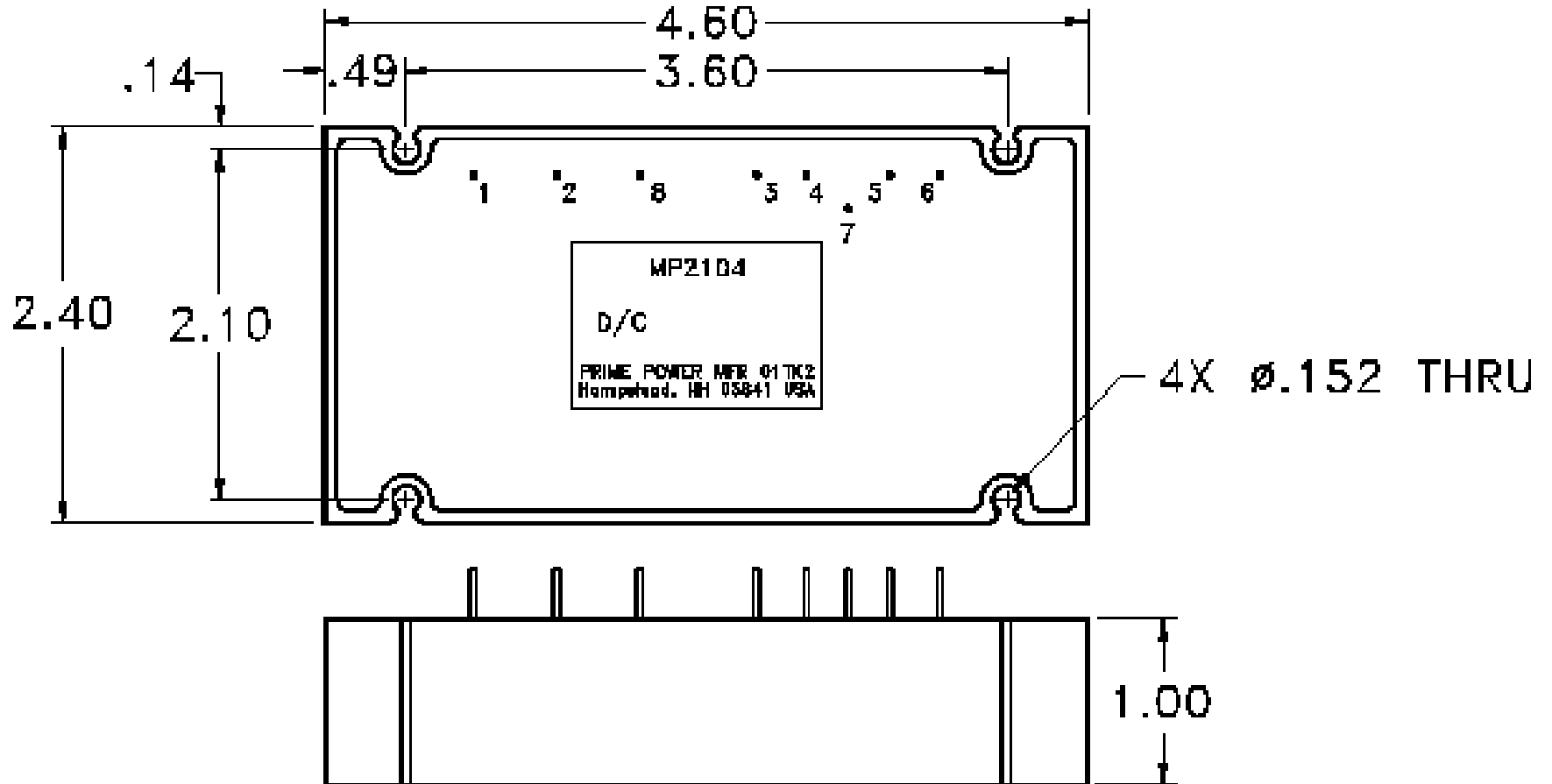
ENVIRONMENTAL SPECIFICATIONS		
ALTITUDE	MIL-STD-810F	Method 500.1, Procedure 1
HIGH TEMPERATURE	MIL-STD-810F	Method 501.4 Procedure 1 & 2
LOW TEMPERATURE	MIL-STD-810F	Method 502.4 Procedure 1 & 2
HUMIDITY	MIL-STD-202G	Method 103B
FUNGUS	MIL-STD-810F	Method 508, Condition A
SALT FOG	MIL-STD-202G	Method 101 E, Test Condition A
SAND AND DUST	MIL-STD-810F	Method 501.4, Procedure 1 & 2
EXPLOSIVE ATMOSPHERE	MIL-STD-810F	Method 511, Condition A
ACCELERATION	MIL-STD-810F	Method 513.5, Procedure 1 & 2
VIBRATION	MIL-STD-810F	Method 514.2
SHOCK	MIL-STD-883	Method 2002.4

TEMPERATURE SPECIFICATIONS	
OPERATING TEMPERATURE	-46°C to +85°C
STORAGE TEMPERATURE	-55°C to +125°C
TEMPERATURE COEFFICIENT	.02%/°C



MP2104

DC/DC CONVERTER 60WATTS



WWW.PRIME-POWER.COM

SALES@PRIME-POWER.COM

PRIME POWER INC: (603) 329-4675.
1 OWENS CT.
HAMPSTEAD NH, 03841.