



LVP5-5D15-12

MULTI OUTPUT HIGH DENSITY DC/DC CONVERTER MODULE



- Multiple output power supply in high density
- MIL-STD-1275 Compliant
- Operating Temperature Range -40°C To +85°C
- Low Output Ripple <30mVp-p
- Rugged MIL-STD-810/901 Vibration, Shock, Humidity
- Output Protection Over-Voltage, Over-Current
- Six Sided Continuous Shielding For EMI

DESCRIPTION:

The LVP5-5D15-12 series multiple output DC/DC converter are cost effective solution to higher reliability and performance requirements of power distribution system in an environmentally demanding application. The LVPS-5D15-12 product is designed with conservative component selection and stringent test standards to achieve very high levels of reliability and performance.

GENERAL SPECIFICATIONS			
INPUT VOLTAGE	+9VDC-36VDC		
FREQUENCY RANGE	250KHZ SWITCHING FREQUENCY		
OUTPUT VOLTAGE	+5VDC	+15VDC	-15VDC
OUTPUT CURRENT	1.2 AmPS	200mA	50mA
PHYSICAL SIZE	2.14" X 1.91" X .79"		
WEIGHT	<1.5 LBS.		
MTBF	CONTACT: SALES@PRIME-POWER.COM		

PHYSICAL CHARACTERISTICS	
MAXIMUM CASE SIZE	2.14" X 1.91" X .79"
COOLING METHOD	CONDUCTION
ENCAPSULATION	SILICONE POTTING COMPOUND
ENCLOSURE FINISH	YELLOW CHROMATE
BASEPLATE FINISH	BLACK HEADER PLATE
INPUT/OUTPUT TERMINATION	GOLD PINS
MOUNTING	SOLDERABLE PINS
WEIGHT	<1.5 LBS.

WWW.PRIME-POWER.COM

SALES@PRIME-POWER.COM

PRIME POWER INC: (603) 329-4675.
1 OWENS CT.
HAMPSTEAD NH, 03841.



LVP5-5D15-12

MULTI OUTPUT HIGH DENSITY DC/DC CONVERTER MODULE

ELECTRICAL SPECIFICATIONS		
LINE REGULATION (LO LINE TO HI LINE)	.5%	
LOAD REGULATION (+5VDC) (10%-FL)	.2% TYPICAL (1% MAX OVER TEMPERATURE RANGE)	
LOAD REGULATION (±15VDC) (10%-FL)	BALANCED	UNBALANCED
	1% MAX	5% MAX
PARD (RIPPLE NOISE) DC-20MHZ	30mV p-p	
OVERCURRENT SETPOINT	150% OF RATED CURRENT	
SHORT CIRCUIT CURRENT	CONTINUOUS AUTO-RECOVERY	
OVERVOLTAGE SET	125% OF RATED VOLTAGE TYP.	
LOAD STEP RECOVERY (1/2 TO FL)	250µS	
TURN-ON OVERSHOOT	.5% TYP	
EFFICIENCY (MIN)	85% MIN	
ISOLATION	+1500VDC INPUT/OUTPUT	
EMI FILTERING	MIL-STD-461 CE01 & CE03	
OUTPUT POWER	5VDC @ 1200 mA	±15VDC @ 200mA

ENVIRONMENTAL SPECIFICATIONS		
ALTITUDE	MIL-STD-810F	METHOD 500.1, PROCEDURE 1
HIGH TEMPERATURE	MIL-STD-810F	METHOD 501.4 PROCEDURE 1 & 2
LOW TEMPERATURE	MIL-STD-810F	METHOD 502.4 PROCEDURE 1 & 2
HUMIDITY	MIL-STD-202G	METHOD 103B
FUNGUS	MIL-STD-810F	METHOD 508, CONDITION A
SALT FOG	MIL-STD-202G	METHOD 101 E, TEST CONDITION A
SAND AND DUST	MIL-STD-810F	METHOD 501.4, PROCEDURE 1 & 2
EXPLOSIVE ATMOSPHERE	MIL-STD-810F	METHOD 511, CONDITION A
ACCELERATION	MIL-STD-810F	METHOD 513.5, PROCEDURE 1 & 2
VIBRATION	MIL-STD-810F	METHOD 514.2
SHOCK	MIL-STD-883	METHOD 2002.4

TEMPERATURE SPECIFICATIONS	
OPERATING TEMPERATURE	-40°C TO +70°C
STORAGE TEMPERATURE	-55°C TO +125°C
TEMPERATURE COEFFICIENT	.02%/°C

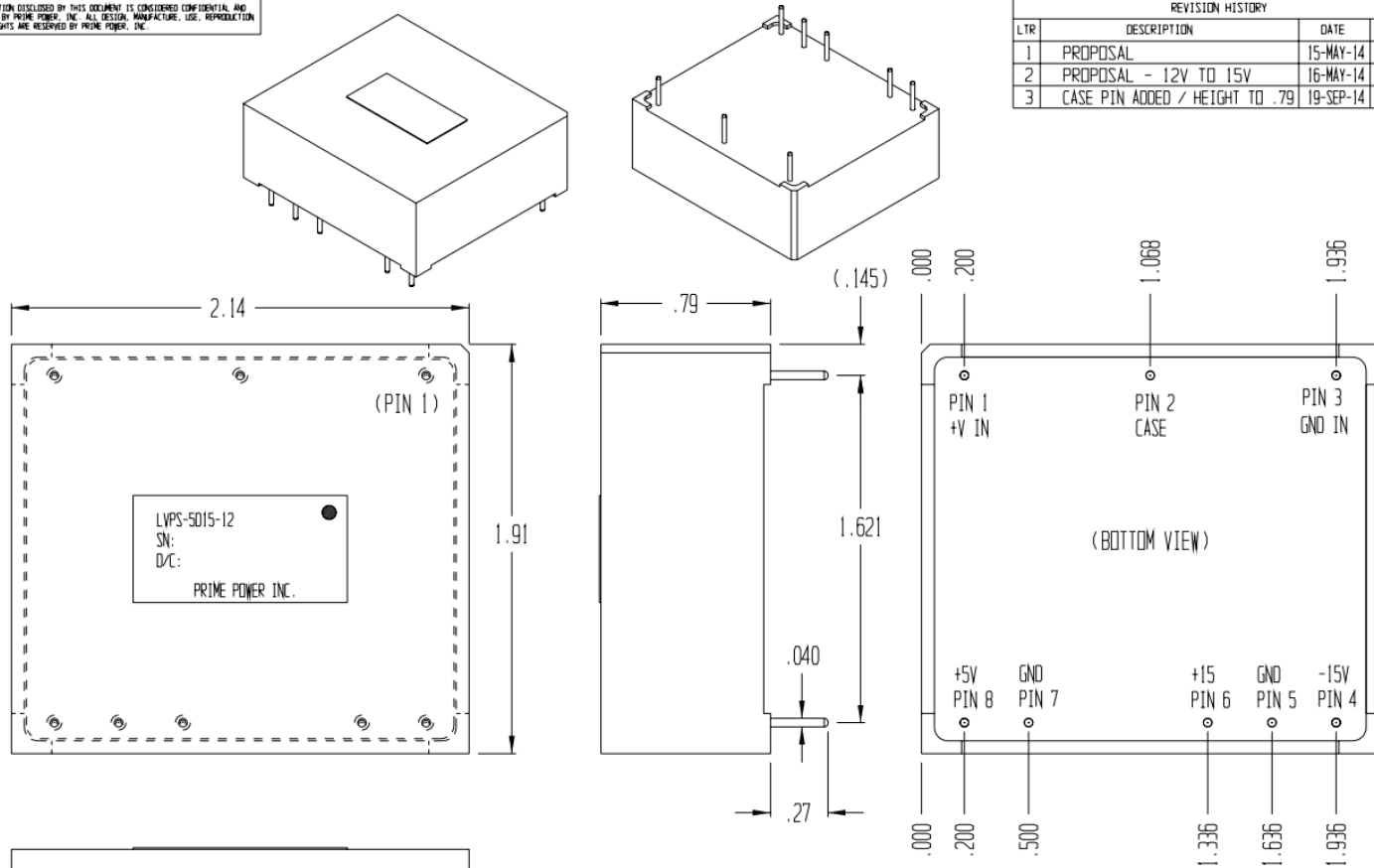


LVP5-5D15-12

MULTI OUTPUT HIGH DENSITY DC/DC CONVERTER MODULE

ALL INFORMATION DISCLOSED BY THIS DOCUMENT IS CONSIDERED CONFIDENTIAL AND PROPRIETARY BY PRIME POWER, INC. ALL DESIGN, MANUFACTURE, USE, REPRODUCTION AND SALE RIGHTS ARE RESERVED BY PRIME POWER, INC.

REVISION HISTORY				
LTR	DESCRIPTION	DATE	BY	APVD
1	PROPOSAL	15-MAY-14	.JK	XX
2	PROPOSAL - 12V TO 15V	16-MAY-14	.JK	XX
3	CASE PIN ADDED / HEIGHT TO .79	19-SEP-14	.JK	XX



UNLESS OTHERWISE SPECIFIED, DIMENSIONS ARE IN INCHES & INCLUDES PLATING THICKNESS.	CONTRACT NO.		PRIME POWER, INCORPORATED	
	FILE NAME: LVP5-5D15-12		HAMPSTEAD, N.H. 03841	
TOLERANCES DECIMALS .xx ± .01 .xxx ± .005	APPROVALS	TITLE: MECHANICALS: LVP5-5D15-12	TEL: (603) 329-4675	
MATERIAL:	DATE	SIZE	CAGE CODE	DWG. NO.
FINISH:	DRWN: J. KALLIO	15MAY14	01TK2	LVP5-5D15-12
	CHK: D. BOLDWARD	XXXXXXX		REV 3
	DA: C. ALLEN	XXXXXXX	SCALE: NONE	SHEET 1 OF 2

WWW.PRIME-POWER.COM

SALES@PRIME-POWER.COM

PRIME POWER INC: (603) 329-4675.
 1 OWENS CT.
 HAMPSTEAD NH, 03841.